



Intellectual
Property
Office

Certificate of Registration for a UK Design

Design number: 6302075

Grant date: 15 August 2023

Registration date: 05 August 2023

This is to certify that,

in pursuance of and subject to the provision of Registered Designs Act 1949, the design of which a representation or specimen is attached, had been registered as of the date of registration shown above in the name of

DR.VIJAY PRAKASH SINGH, DR. ANURADHA DEVI, DR. ABHISHEK KUMAR,

MR. BHARAT SINGH THAKUR, DR. SANTHOSH KUMAR BALAN,

DR. SATYENDRA KUMAR BUNKAR, DR. KAMINI MAHESHWAR

in respect of the application of such design to:

Sensor based Biogas Generating Tank

International Design Classification:

Version: 14-2023

Class: 15 MACHINES, NOT ELSEWHERE SPECIFIED

Subclass: 99 MISCELLANEOUS

Adam Williams

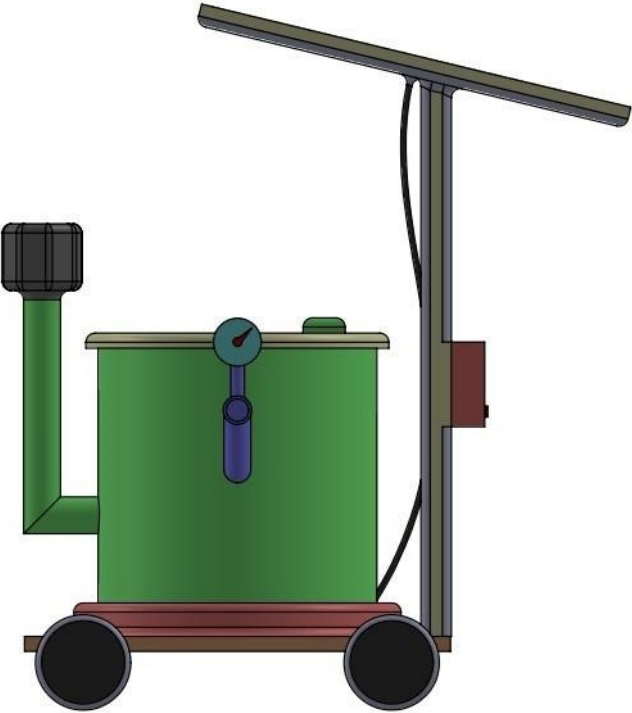
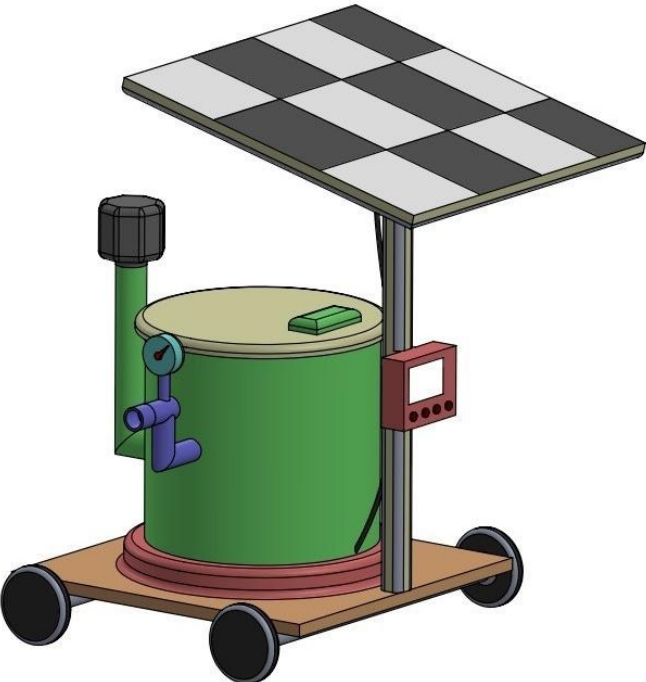
Comptroller-General of Patents, Designs and Trade Marks

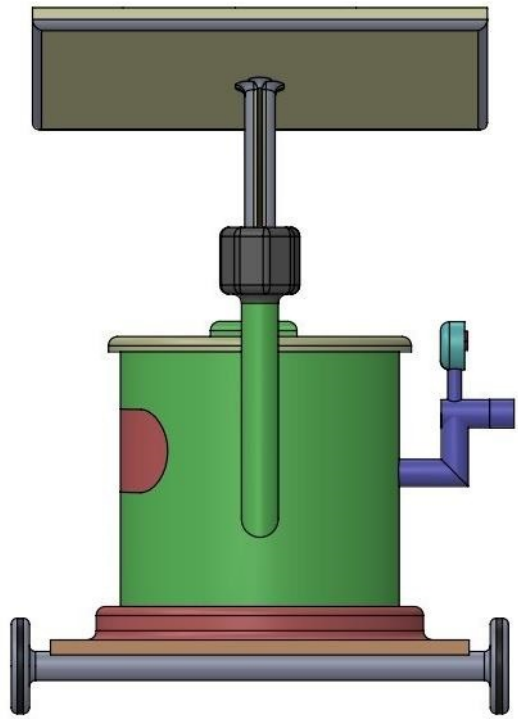
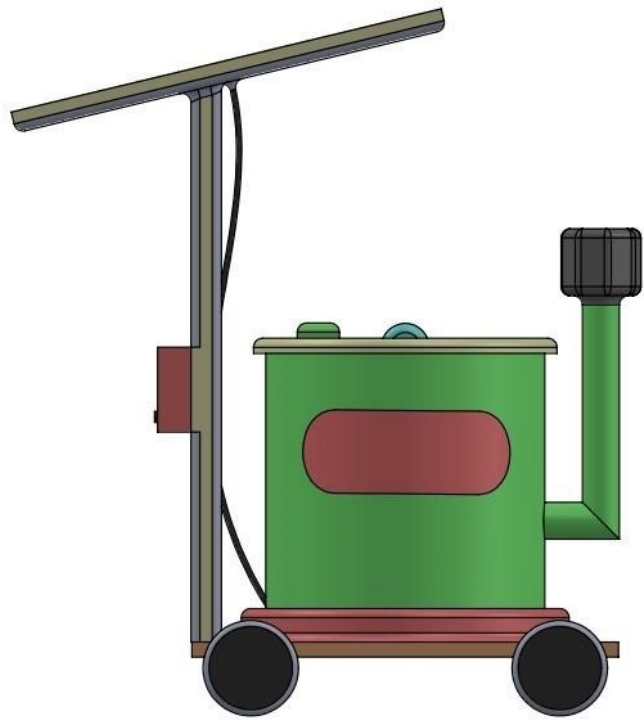
Intellectual Property Office

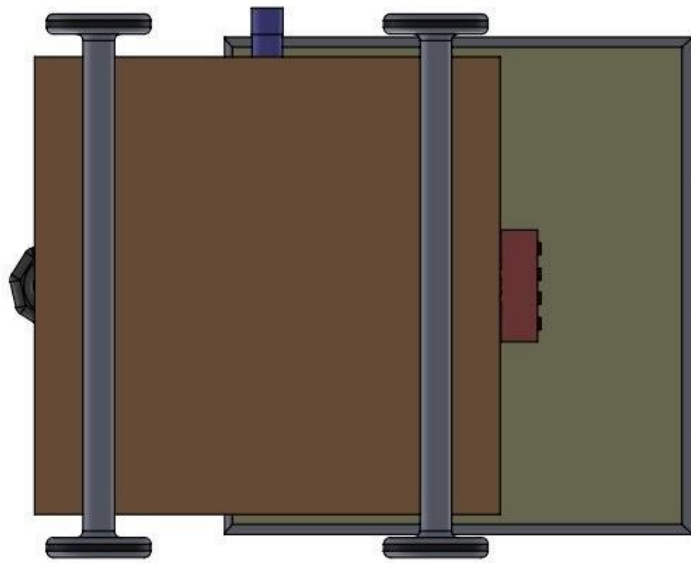
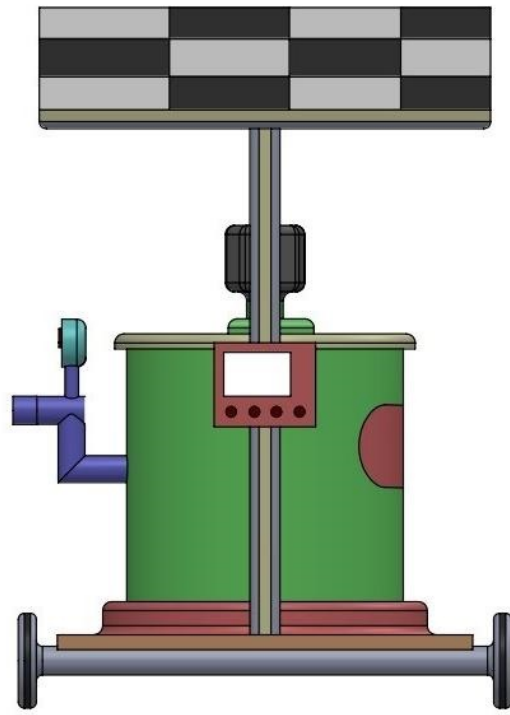
The attention of the Proprietor(s) is drawn to the important notes overleaf.

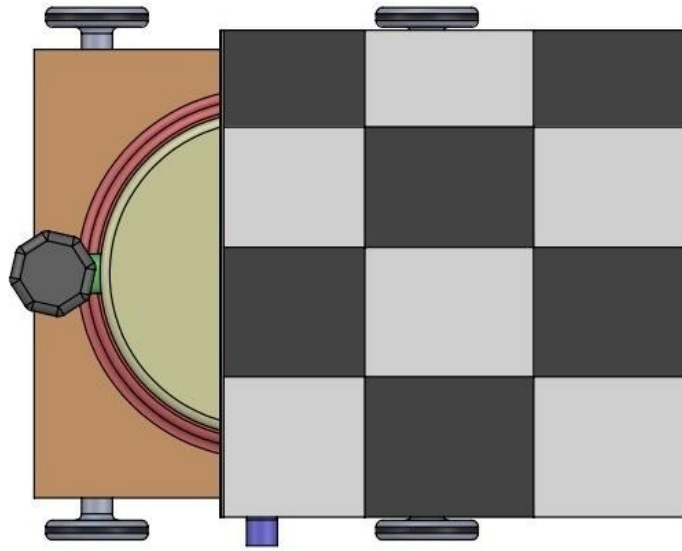


Representation of Designs









Intellectual Property Office is an operating name of the Patent Office

www.gov.uk/ipo